

CONTAINER - IBC STAINLESS STEEL

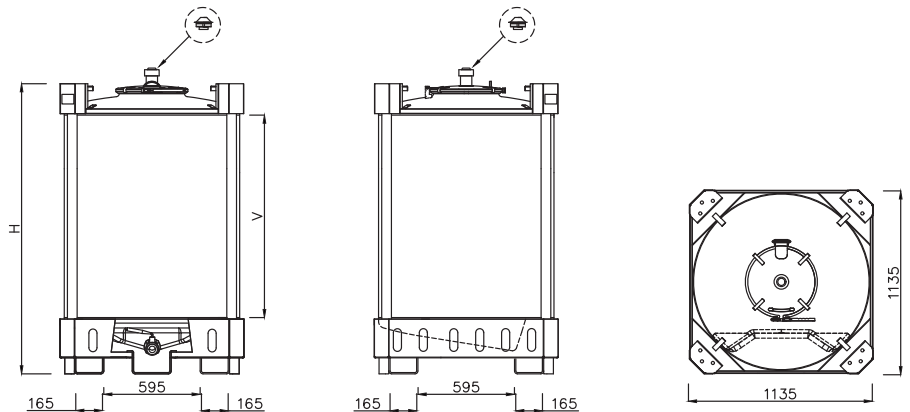


PC

Cold rolled AISI 304 stainless steel container (AISI 316 on request) ; satin exterior finish and BA interior finish.
Cold-molded bottom with optimized profile minimum thickness 1.5 mm.
Automatic TIG welding, cleaned and passivated.
Bath-galvanized steel protection cage (AISI 304 on request).
Tank housing with anti-vibration rubber pads.
Palletized base with fork guides for forklift and manual pallet truck.
Stacking: max 2 full containers stacked.
Maximum permissible specific weight: 1.9 kg / dm³.
Do not stack full containers during transport.

Common technical characteristics :

- Drain valve positioned in the center on one side
- Boitard molded on the bottom for a total emptying
- Lid diameter 400 mm
- Lid with quick lever closure (standard)
- Total ball or butterfly drain valve, maximum diameter DN 50 (2 ")
- PVC relief valve
- Nameplate
- Rubber stamps



[ACCESSORIES AND OPTIONS]

- Various types of quick couplings or threads.
- Agitator, washing device.
- Level indicator.
- Insulation and heated flags.
- For non-approved models, it is possible to make dimensional modifications and to make special equipment for all requirements.

TECHNICAL CHARACTERISTICS

MODEL	CAPACITY (L)	Ø DIAMETER (MM)	HEIGHT (MM)	V (MM)	WEIGHT (KG)
PC500	550	1080	960	420	105
PC750	735	1080	1165	625	120
PC1000	995	1080	1460	910	138
PC1250	1304	1080	1800	1250	158
PC1500	1532	1080	2050	1500	173

CONTAINER - IBC STAINLESS STEEL

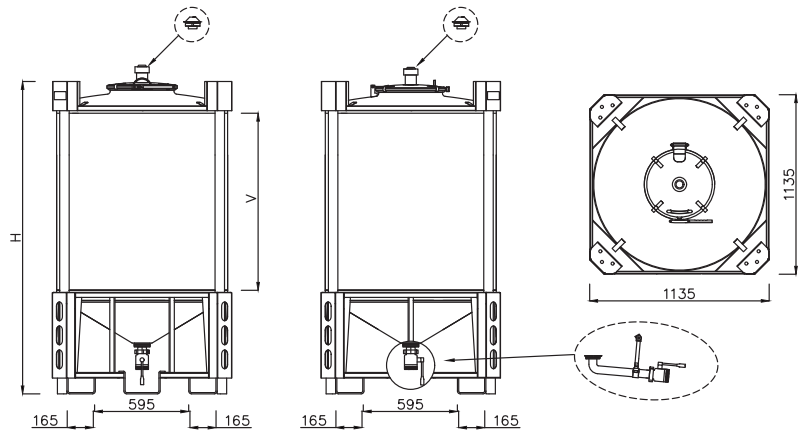


PFC

Cold rolled AISI 304 stainless steel container (AISI 316 on request); satin exterior finish and BA interior finish.
Cold-molded bottom with optimized profile minimum thickness 1.5 mm.
Automatic TIG welding, cleaned and passivated.
Bath-galvanized steel protection cage (AISI 304 on request).
Tank housing with anti-vibration rubber pads.
Palletized base with fork guides for forklift and manual pallet truck.
Stacking: max 2 full containers stacked.
Maximum permissible specific weight: 1.9 kg / dm³.
Do not stack full containers during transport.

Common technical characteristics :

- Container with conical bottom and vertical emptying
- Suitable for transport and storage of high viscosity products
- Lid diameter 400 mm
- Lid with quick lever closure (standard)
- Total ball, butterfly or guillotine drain valve, maximum diameter DN 100 (4 ")
- PVC relief valve
- Nameplate
- Rubber stamps



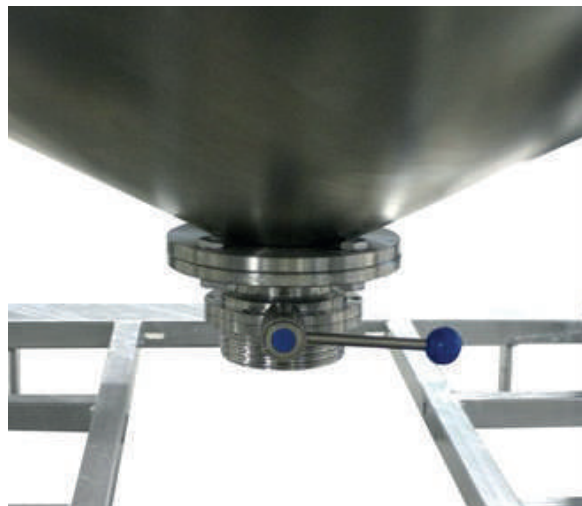
[ACCESSORIES AND OPTIONS]

- Various types of quick couplings or threads.
- Agitator, washing device.
- Level indicator.
- Insulation and heated flags.
- For non-approved models, it is possible to make dimensional modifications and to realize special equipment for all requirements.

TECHNICAL CHARACTERISTICS

MODEL	CAPACITY (L)	Ø DIAMETER (MM)	HEIGHT (MM)	V (MM)	WEIGHT (KG)
PFC750	800	1080	1480	625	131
PFC1000	1060	1080	1695	910	148
PFC1250	1370	1080	2105	1250	163
PFC1500	1600	1080	2350	1500	175

CONTAINER - IBC STAINLESS STEEL



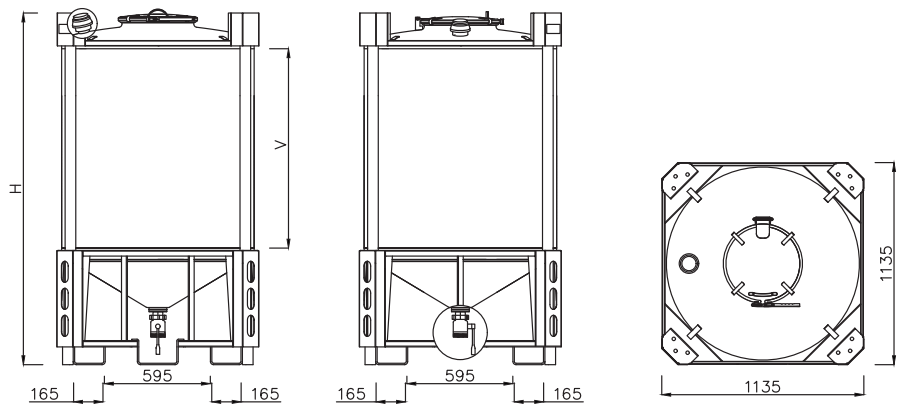
PFCI

Cold rolled AISI 304 stainless steel container (AISI 316 on request); satin exterior finish and BA interior finish.
Cold molded bottom with optimized profile minimum thickness 2 mm.

Automatic TIG welding, cleaned and passivated.
Bath-galvanized steel protective cage (AISI 304 on request).
Tank housing with anti-vibration rubber pads.
Palletized base with fork guides for forklift and manual pallet truck.
Stacking: max 2 full containers stacked.
Transportable products (UN / ADR / RID regulations): dangerous goods packaging classes II and III with max vapor pressure 1.1 bar at 50 ° C.
Maximum permissible specific weight: 1.9 kg / dm³.
Do not stack full containers during transport.

Common technical characteristics :

- Drain valve positioned in the corner of the base
- Boitard molded on the bottom for a total emptying
- UN / ADR / RID approval for the transport of dangerous goods
- Lid diameter 400 mm
- Lid with quick lever closure (standard)
- Total ball, butterfly or guillotine drain valve, maximum diameter DN 100 (4 ")
- Double acting safety valve
- Nameplate
- Rubber stamps



[ACCESSORIES AND OPTIONS]

- Various types of quick couplings or threads.
- Agitator, washing device.
- Level indicator.

TECHNICAL CHARACTERISTICS

MODEL	CAPACITY (L)	Ø DIAMETER (MM)	HEIGHT (MM)	V (MM)	WEIGHT (KG)	VALVE PURGE (PRESS./DEPRESS.)
PFCI1000	1060	1080	1695	840	160	+0,05 / -0,02
PFCI1250	1375	1080	1970	1120	175	+0,05 / -0,02

CONTAINER - IBC STAINLESS STEEL



Lorem ipsum



PCI

Cold rolled AISI 304 stainless steel container (AISI 316 on request); satin exterior finish and BA interior finish.

Cold molded bottom with optimized profile minimum thickness 2 mm.

Automatic TIG welding, cleaned and passivated.

Bath-galvanized steel protection cage (AISI 304 on request).

Tank housing with anti-vibration rubber pads.

Palletized base with fork guides for forklift and manual pallet truck.

Stacking: max 2 full containers stacked.

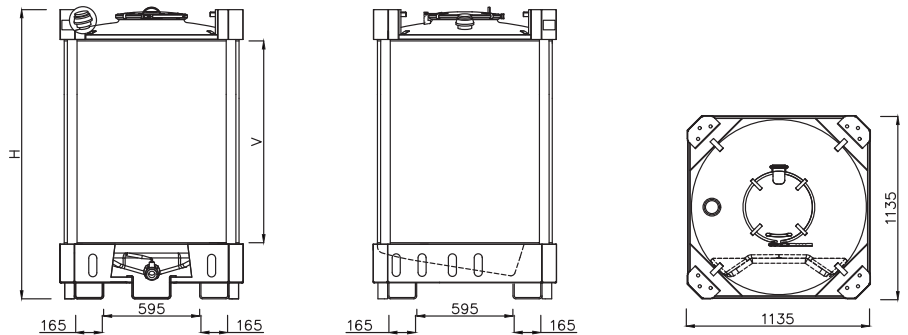
Transportable products (UN / ADR / RID regulations): dangerous goods packaging classes II and III with max vapor pressure 1.1 bar at 50 ° C.

Maximum permissible specific weight: 1.9 kg / dm³.

Do not stack full containers during transport.

Common technical characteristics :

- Drain valve positioned in the corner of the base
- Boitard molded on the bottom for a total emptying
- UN / ADR / RID approval for the transport of dangerous goods
- Lid diameter 400 mm
- Lid with quick lever closure (standard)
- Total ball or butterfly drain valve, maximum diameter DN 50 (2 ")
- Double-acting safety valve
- Nameplate
- Rubber stamps



[ACCESSORIES AND OPTIONS]

- Various types of quick couplings or threads.
- Agitator, washing device.
- Level indicator.

TECHNICAL CHARACTERISTICS

MODEL	CAPACITY (L)	Ø DIAMETER (MM)	HEIGHT (MM)	V (MM)	WEIGHT (KG)	VALVE PURGE (PRESS./DEPRESS.)
PCI1000	1010	1080	1460	910	150	+0,05 / -0,02
PCI1250	1320	1080	1800	1250	172	+0,05 / -0,02

CONTAINER - IBC STAINLESS STEEL



PH

Cold rolled AISI 304 stainless steel container (AISI 316 on request); satin exterior finish and BA interior finish.

Cold-molded bottom with optimized profile minimum thickness 1.5 mm.

Automatic TIG welding, cleaned and passivated.

Bath-galvanized steel protection cage (AISI 304 on request).

Tank housing with anti-vibration rubber pads.

Palletized base with fork guides for forklift and manual pallet truck.

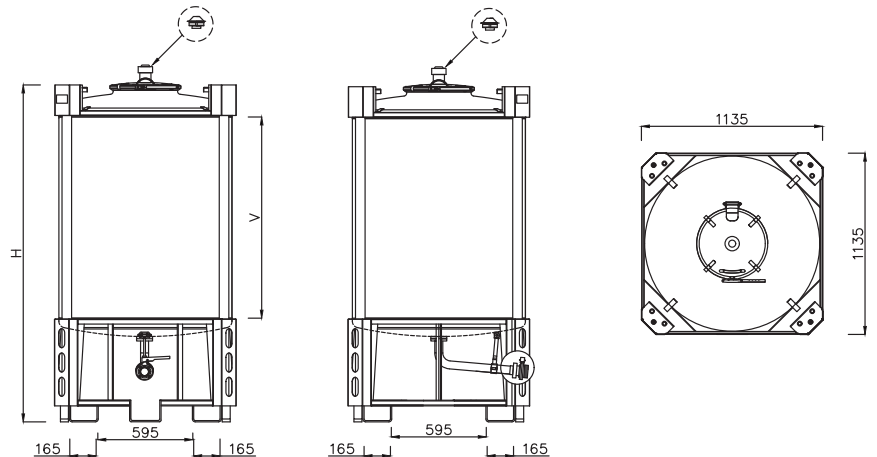
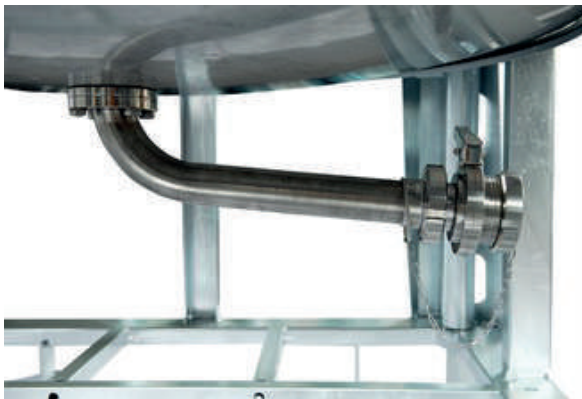
Stacking: max 2 full containers stacked.

Maximum permissible specific weight: 1.9 kg / dm³.

Do not stack full containers during transport.

Common technical characteristics :

- Domed lower bottom with central flange and 90 ° angled piping on the front with valve
- Boitard molded on the bottom for a total emptying
- Lid diameter 400 mm
- Lid with quick lever closure (standard)
- Total ball or butterfly drain valve, maximum diameter DN 50 (2 ")
- PVC relief valve
- Nameplate
- Rubber stamps



[ACCESSORIES AND OPTIONS]

- Various types of quick couplings or threads.
- Agitator, washing device.
- Level indicator.
- Insulation and heating plates.
- For non-approved models, it is possible to make dimensional modifications and to make special equipment for all requirements.

TECHNICAL CHARACTERISTICS

MODEL	CAPACITY (L)	Ø DIAMETER (MM)	HEIGHT (MM)	V (MM)	WEIGHT (KG)
PH750	735	1080	1475	625	125
PH1000	995	1080	1760	910	140
PH1250	1305	1080	2100	1250	157
PH1500	1535	1080	2350	1500	168

CONTAINER - IBC STAINLESS STEEL



PL

Cold rolled AISI 304 stainless steel container (AISI 316 on request); satin exterior finish and BA interior finish.

Cold-molded bottom with optimized profile minimum thickness 1.5 mm.

Automatic TIG welding, cleaned and passivated.

Bath-galvanized steel protection cage (AISI 304 on request).

Tank housing with anti-vibration rubber pads.

Palletized base with fork guides for forklift and manual pallet truck.

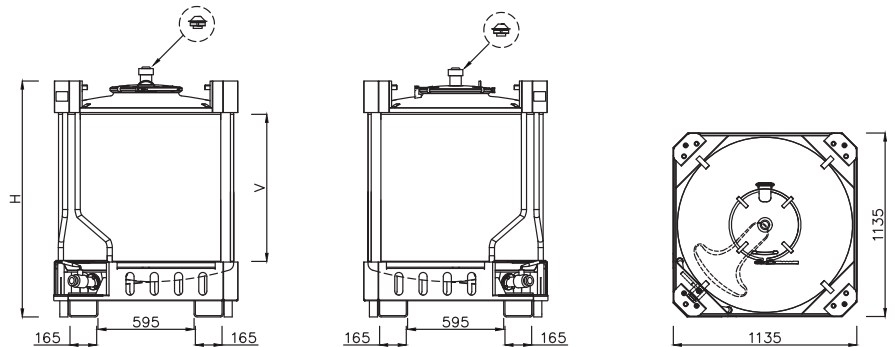
Stacking: max 2 full containers stacked.

Maximum permissible specific weight: 1.9 kg / dm³.

Do not stack full containers during transport.

Common technical characteristics :

- Drain valve positioned in the corner of the base
- Boitard molded on the bottom for a total emptying
- Lid diameter 400 mm
- Lid with quick lever closure (standard)
- Total ball or butterfly drain valve, maximum diameter DN 50 (2 ")
- PVC relief valve
- Nameplate
- Rubber stamps



[ACCESSORIES AND OPTIONS]

- Various types of quick couplings or threads.
- Agitator, washing device.
- Level indicator.
- Insulation and heated flags.
- For non-approved models, it is possible to make dimensional modifications and to make special equipment for all requirements.

TECHNICAL CHARACTERISTICS

MODEL	CAPACITY (L)	Ø DIAMETER (MM)	HEIGHT (MM)	V (MM)	WEIGHT (KG)
PL500	560	1080	960	420	110
PL750	750	1080	1165	625	125
PL1000	1010	1080	1460	910	143
PL1250	1320	1080	1800	1250	163
PL1500	1550	1080	2050	1500	178

CONTAINER - IBC STAINLESS STEEL



PLI

Cold rolled AISI 304 stainless steel container (AISI 316 on request); satin exterior finish and BA interior finish.

Cold molded bottom with optimized profile minimum thickness 2 mm.

Automatic TIG welding, cleaned and passivated.

Bath-galvanized steel protective cage (AISI 304 on request).

Tank housing with anti-vibration rubber pads.

Palletized base with fork guides for forklift and manual pallet truck.

Stacking: max 2 full containers stacked.

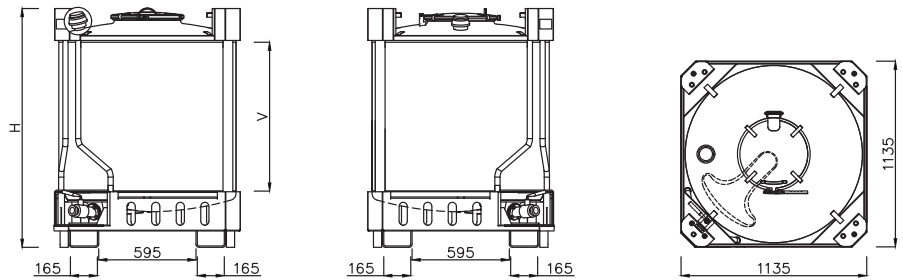
Transportable products (UN / ADR / RID regulations): dangerous goods packaging classes II and III with max vapor pressure 1.1 bar at 50 ° C.

Maximum permissible specific weight: 1.9 kg / dm³.

Do not stack full containers during transport.

Common technical characteristics :

- Drain valve positioned in the corner of the base
- Boitard molded on the bottom for a total emptying
- UN / ADR / RID approval for the transport of dangerous goods
- Lid diameter 400 mm
- Lid with quick lever closure (standard)
- Total ball or butterfly drain valve, maximum diameter DN 50 (2 ")
- Double acting safety valve
- Nameplate
- Rubber stamps



[ACCESSORIES AND OPTIONS]

- Various types of quick couplings or threads.
- Agitator, washing device.
- Level indicator.

TECHNICAL CHARACTERISTICS

MODEL	CAPACITY (L)	Ø DIAMETER (MM)	HEIGHT (MM)	V (MM)	WEIGHT (KG)	VALVE PURGE (PRESS./DEPRESS.)
PLI1000	1010	1080	1460	910	155	+0,05 / -0,02
PLI1250	1320	1080	1800	1250	175	+0,05 / -0,02