

# STAINLESS STEEL TANK - STORAGE AND/OR MIXING



## SBP tank

Mixing tank with semi-opening lid. Cold rolled AISI 304 stainless steel tank (AISI 316 on request) with satin exterior finish and BA interior finish. (mirror polished)

Cold molded bottom with optimized profile minimum thickness 1.5 mm or 2 mm.

Automatic TIG welding, cleaned and passivated.

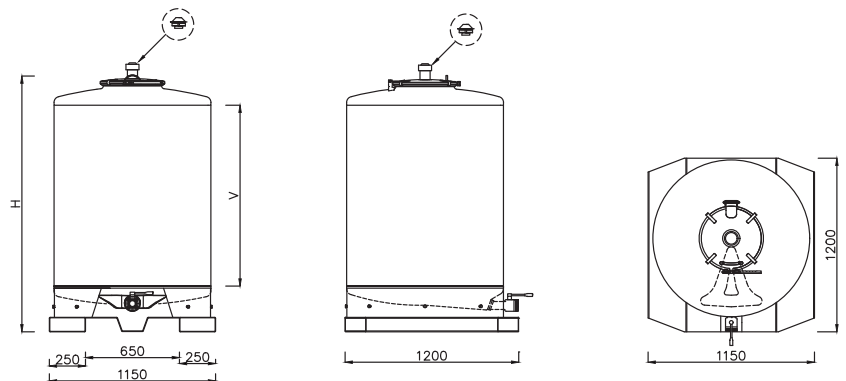
Galvanized steel pallet base with fork guide (AISI 304 on request).

Stainless steel band welded to the tank and bolted to the base.

Maximum permissible specific weight: 1.9 kg / dm<sup>3</sup>.

### Common technical characteristics :

- Palletized tank for storage and internal movement
- Contoured base with fork guides for forklift and manual pallet truck
- Boitard molded on the bottom for a total emptying
- Lid diameter 400 mm
- Lid with quick lever closure (standard)
- Total ball or butterfly drain valve, maximum diameter DN 50 (2 ")
- PVC relief valve



### [ ACCESSORIES AND OPTIONS ]

- Various types of quick couplings or threads.
- Agitator, washing device.
- Level indicator.
- Insulation and heated flags.
- For non-approved models, it is possible to make dimensional modifications and to realize special equipment for all requirements.



### TECHNICAL CHARACTERISTICS

MODEL	CAPACITY (L)	Ø DIAMETER (MM)	HEIGHT (MM)	V (MM)	WEIGHT (KG)
SBP500	560	1080	945	420	95
SBP750	750	1080	1150	625	103
SBP1000	1010	1080	1435	910	115
SBP1250	1320	1080	1775	1250	129
SBP1500	1550	1080	2025	1500	140

# STAINLESS STEEL TANK - STORAGE AND/OR MIXING



## SBPA tank

Cold rolled AISI 304 stainless steel tank (AISI 316 on request) with satin exterior finish and BA interior finish. (mirror polished) Cold molded bottom with optimized profile minimum thickness 1.5 mm or 2 mm.

Automatic TIG welding, cleaned and passivated.

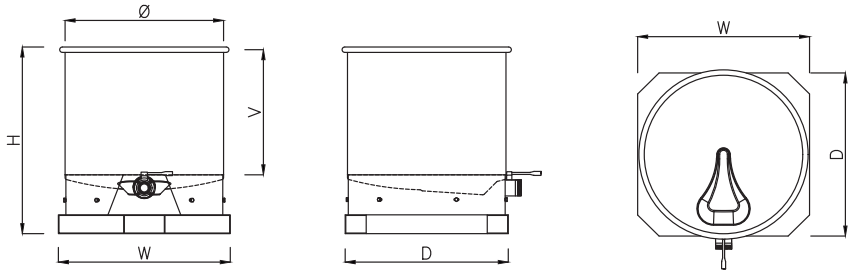
Galvanized steel pallet base with fork guide (AISI 304 on request).

Stainless steel band welded to the tank and bolted to the base.

Maximum permissible specific weight: 1.9 kg / dm<sup>3</sup>.

### Common technical characteristics :

- Palletized tank for storage and internal movement
- Contoured base with fork guides for forklift and manual pallet truck
- Boitard molded on the bottom for a total emptying
- Total ball or butterfly drain valve, maximum diameter DN 50 (2 ")
- Nameplate



### [ ACCESSORIES AND OPTIONS ]

- AISI 316 stainless steel tank
- All stainless steel base
- Level indicator
- Floating cap with air chamber, pump and complete pressure gauge
- Cover to fit
- All types of door
- Insulation and heating flags
- Base height adjustment: feet, feet with adjustment screws, feet with wheels, wheels
- Dimensional modifications and special equipment can be made for all requirements



### TECHNICAL CHARACTERISTICS

MODEL	CAPACITY (L)	Ø DIAMETER (MM)	HEIGHT (MM)	V (MM)	MEASURE OF CAGE (WxD)	WEIGHT (KG)
SBPA D150	173	650	820	500	720x675	ND
SPBA D300	305	650	1320	1000	720x675	ND
SPBA D200	206	790	820	500	860x815	ND
SPBA D450	451	790	1320	1000	860x815	ND
SBPA D330	330	1000	820	500	1070x1025	ND
SBPA D700	722	1000	1320	1000	1070x1025	ND
SBPA 500	470	1080	765	420	1150x1200	84
SBPA 650	660	1080	970	625	1150x1200	93
SBPA 1000A	920	1080	1255	910	1150x1200	104
SBPA 1250	1230	1080	1595	1250	1150x1200	118
SBPA 1500	1460	1080	1845	1500	1150x1200	128
SBPA D1000	1023	1190	1320	1000	1210x1215	ND
SBPA D1600	1579	1190	1820	1500	1210x1215	ND
SBPA D2150	2135	1190	2320	2000	1210x1215	ND

# STAINLESS STEEL TANK - STORAGE AND/OR MIXING



## SBPM tank

Mixing tank with semi-opening lid. Cold rolled AISI 304 stainless steel tank (AISI 316 on request) with satin exterior finish and BA interior finish. (mirror polished)

Cold molded bottom with optimized profile minimum thickness 1.5 mm or 2 mm.

Automatic TIG welding, cleaned and passivated.

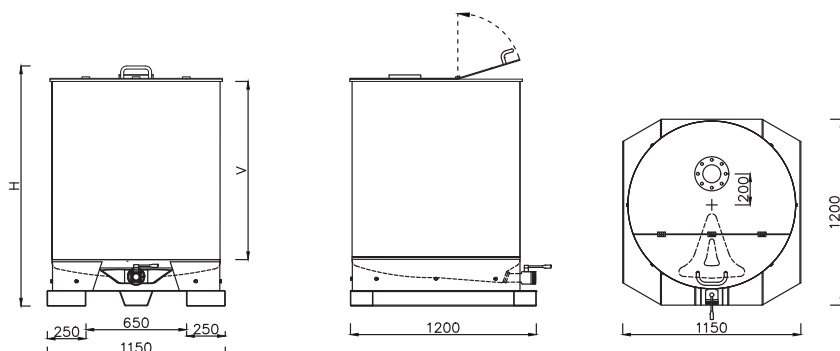
Galvanized steel pallet base with fork guide (AISI 304 on request).

Stainless steel band welded to the tank and bolted to the base.

Maximum permissible specific weight: 1.9 kg / dm<sup>3</sup>.

### Common technical characteristics :

- Palletized tank for storage and internal movement
- Contoured base with fork guides for forklift and manual pallet truck
- Boitard molded on the bottom for a total emptying
- Total ball or butterfly drain valve, maximum diameter DN 40 (1 "1/2)
- Flange for agitator (the agitator is to be defined as an option)
- Lid with handle for semi-opening
- Nameplate



### [ ACCESSORIES AND OPTIONS ]

- Various types of quick couplings or threads.
- Agitator, washing device.
- Level indicator.
- Insulation and heating plates.
- Handle for manual handling.
- Many feet and wheels
- For non-approved models, it is possible to make dimensional modifications and to make special equipment for all requirements.

### TECHNICAL CHARACTERISTICS

MODEL	CAPACITY (L)	Ø DIAMETER (MM)	HEIGHT (MM)	V (MM)	WEIGHT (KG)
SBPM500	470	1080	740	420	120
SBPM750	660	1080	945	625	136
SBPM1000	920	1080	1230	910	148
SBPM1250	1230	1080	1570	1250	162
SBPM1500	1460	1080	1820	1500	173