

STAINLESS STEEL TANK - STORAGE AND/OR MIXING



MTHM tank

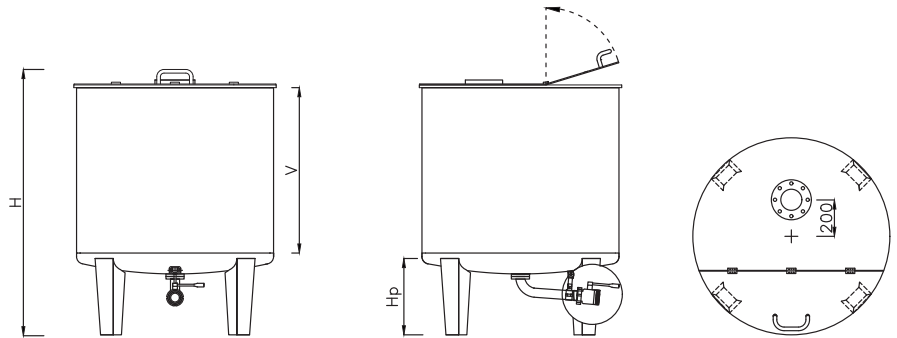
AISI 304 stainless steel tank (AISI 316 on request) with semi-covering lid. Cold rolled satin exterior finish and BA interior finish.

Domed bottom with central flange and pipe with 90 ° elbow
Automatic TIG welding, cleaned and passivated.

Welded feet in AISI 304 stainless steel

Common technical characteristics :

- Boitard molded on the bottom for a total emptying
- Flange for agitator included (the agitator is to be defined as an option)
- Lid with handle for half opening
- Total ball or butterfly drain valve, maximum diameter DN 50 (2 ")
- Nameplate



[ACCESSORIES AND OPTIONS]

- Various types of quick couplings or threads.
- Agitator, washing device.
- Level indicator.
- Insulation and heated flags.
- For non-approved models, it is possible to make dimensional modifications and to make special equipment for all requirements.

TECHNICAL CHARACTERISTICS

MODEL	CAPACITY (L)	Ø DIAMETER (MM)	HEIGHT FEET (MM)	HEIGHT (MM)	V (MM)	WEIGHT (KG)
MTHM750	645	1080	410	1175	625	92
MTHM1000	905	1080	410	1460	910	104
MTHM1250	1215	1080	410	1800	1250	118
MTHM1500	1445	1080	410	2050	1500	129

STAINLESS STEEL TANK - STORAGE AND/OR MIXING



MTL tank

Cold rolled AISI 304 stainless steel tank (AISI 316 on request) with satin exterior finish and BA interior finish.

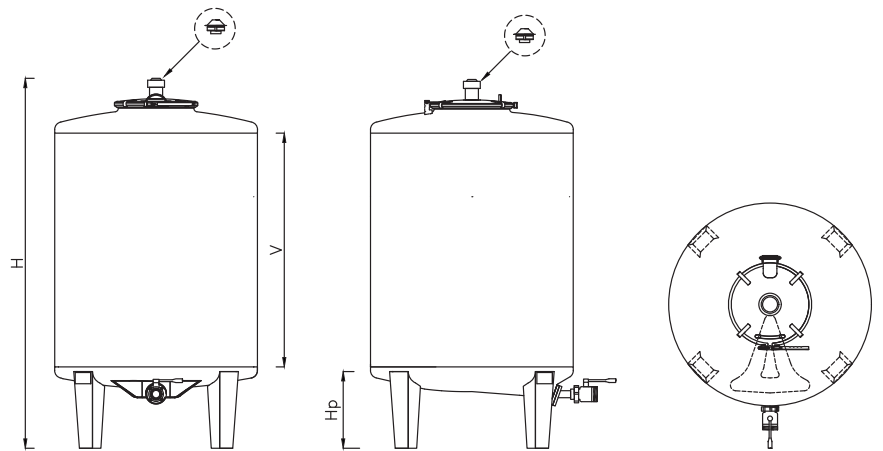
Cold-molded bottom with optimized profile minimum thickness 1.5 mm.

Automatic TIG welding, cleaned and passivated.

Welded feet in AISI 304 stainless steel

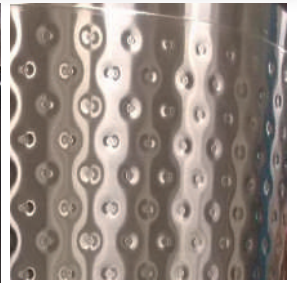
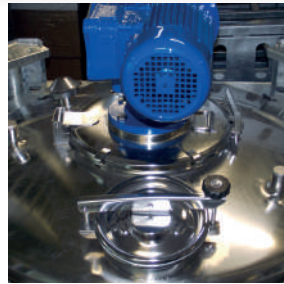
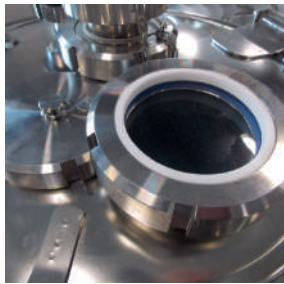
Common technical characteristics :

- Boitard molded on the bottom for a total emptying
- Lid diameter 400 mm
- Lid with quick lever closure (standard)
- Total ball or butterfly drain valve, maximum diameter DN 50 (2 ")
- PVC relief valve



[ACCESSORIES AND OPTIONS]

- Various types of quick couplings or threads.
- Agitator, washing device.
- Level indicator.
- Insulation and heated flags.
- For non-approved models, it is possible to make dimensional modifications and to make special equipment for all requirements.



TECHNICAL CHARACTERISTICS

MODEL	CAPACITY (L)	Ø DIAMETER (MM)	HEIGHT FEET (MM)	HEIGHT (MM)	V (MM)	WEIGHT (KG)
MTL500	560	1080	410	1075	420	51
MTL750	750	1080	410	1280	625	58
MTL1000	1010	1080	410	1565	910	71
MTL1250	1320	1080	410	1905	1250	83
MTL1500	1550	1080	410	2155	1500	94

STAINLESS STEEL TANK - STORAGE AND/OR MIXING



MTLA tank

Cold rolled AISI 304 stainless steel tank (AISI 316 on request) with satin exterior finish and BA interior finish.

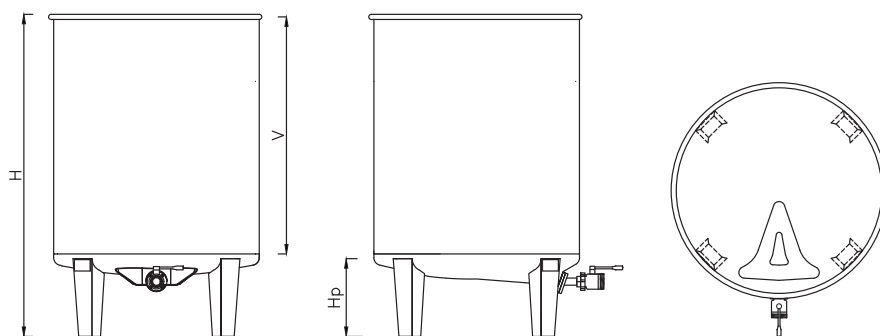
Cold-molded bottom with optimized profile minimum thickness 1.5 mm.

Automatic TIG welding, cleaned and passivated.

Welded feet in AISI 304 stainless steel

Common technical characteristics :

- Boitard molded on the bottom for a total emptying
- Lid diameter 400 mm
- Lid with quick lever closure (standard)
- Total ball or butterfly drain valve, maximum diameter DN 50 (2 ")
- PVC relief valve



[ACCESSORIES AND OPTIONS]

- Various types of quick couplings or threads.
- Agitator, washing device.
- Level indicator.
- Insulation and heated flags.
- For non-approved models, it is possible to make dimensional modifications and to realize special equipment for all requirements.



TECHNICAL CHARACTERISTICS

MODEL	CAPACITY (L)	Ø DIAMETER (MM)	HEIGHT FEET (MM)	HEIGHT (MM)	V (MM)	WEIGHT (KG)
MTLA500	470	1080	410	880	420	42
MTLA750	660	1080	410	1085	625	49
MTLA1000	920	1080	410	1370	910	62
MTLA1250	1230	1080	410	1710	1250	74
MTLA1500	1460	1080	410	1960	1500	85

STAINLESS STEEL TANK - STORAGE AND/OR MIXING

MTLM tank

AISI 304 stainless steel tank (AISI 316 on request) with semi-covering lid. Cold rolled satin exterior finish and BA interior finish.

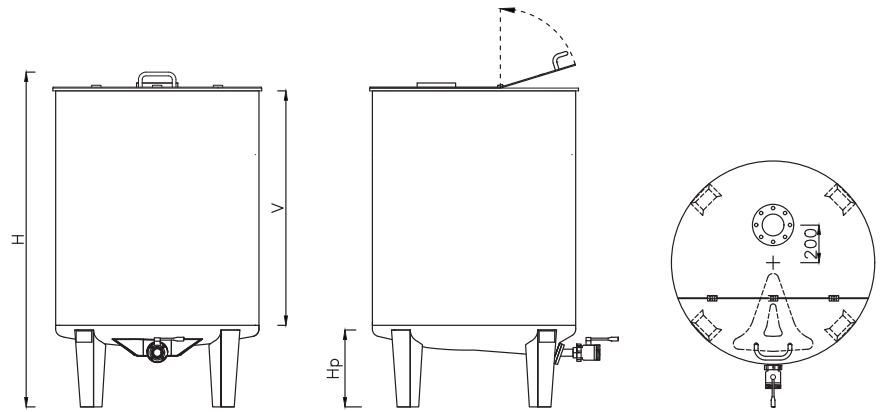
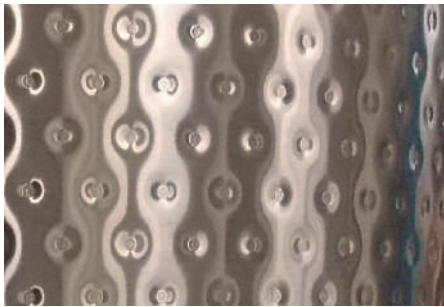
Cold molded bottom with optimized profile minimum thickness 1.5 mm or 2 mm. 30 ° conical bottom.

Automatic TIG welding, cleaned and passivated.

Welded feet in AISI 304 stainless steel

Common technical characteristics :

- Boitard molded on the bottom for a total emptying
- Flange for agitator included (the agitator is to be defined as an option)
- Lid with handle for half opening
- Total ball or butterfly drain valve, maximum diameter DN 50 (2 ")
- Nameplate



[ACCESSORIES AND OPTIONS]

- Various types of quick couplings or threads.
- Agitator, washing device.
- Level indicator.
- Insulation and heated flags.
- For non-approved models, it is possible to make dimensional modifications and to make special equipment for all requirements.

TECHNICAL CHARACTERISTICS

MODEL	CAPACITY (L)	Ø DIAMETER (MM)	HEIGHT FEET (MM)	HEIGHT (MM)	V (MM)	WEIGHT (KG)
MTLM750	660	1080	410	1065	625	93
MTLM1000	920	1080	410	1350	910	106
MTLM1250	1230	1080	410	1690	1250	118
MTLM1500	1460	1080	410	1940	1500	129

STAINLESS STEEL TANK - STORAGE AND/OR MIXING

MTFC tank

Cold rolled AISI 304 stainless steel tank (AISI 316 on request) with satin exterior finish and BA interior finish.

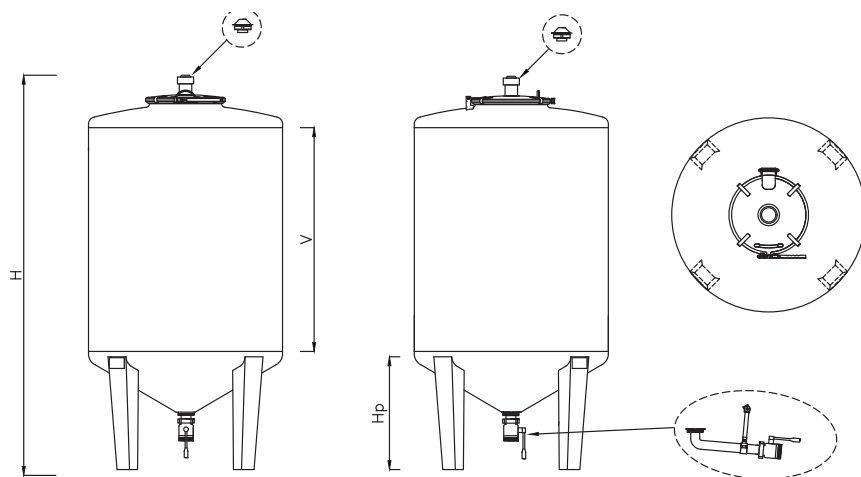
Cold-molded bottom with optimized profile minimum thickness 1.5 mm.

Automatic TIG welding, cleaned and passivated.

Welded feet in AISI 304 stainless steel

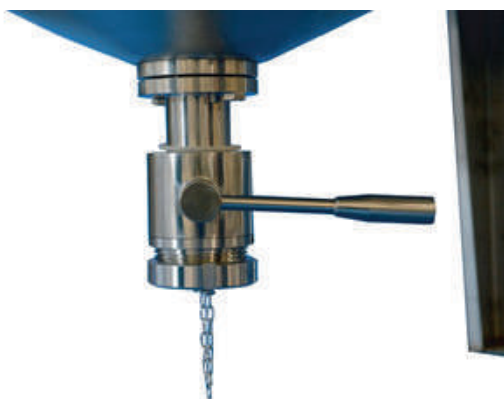
Common technical characteristics :

- Conical bottom and vertical drain
- Lid diameter 400 mm
- Lid with quick lever closure (standard)
- Total ball or butterfly drain valve, maximum diameter DN 50 (2 ")
- PVC relief valve



[ACCESSORIES AND OPTIONS]

- Various types of quick couplings or threads.
- Agitator, washing device.
- Level indicator.
- Insulation and heated flags.
- For non-approved models, it is possible to make dimensional modifications and to realize special equipment for all requirements.



TECHNICAL CHARACTERISTICS

MODEL	CAPACITY (L)	Ø DIAMETER (MM)	HEIGHT FEET (MM)	HAUTEUR (MM)	V (MM)	WEIGHT (KG)
MTFC750	800	1080	625	1495	625	71
MTFC1000	1060	1080	625	1780	840	82
MTFC1250	1375	1080	625	2120	1120	96
MTFC1500	1600	1080	625	2370	1500	107

STAINLESS STEEL TANK - STORAGE AND/OR MIXING



MTFCA tank

Cold rolled AISI 304 stainless steel tank (AISI 316 on request) with satin exterior finish and BA interior finish.

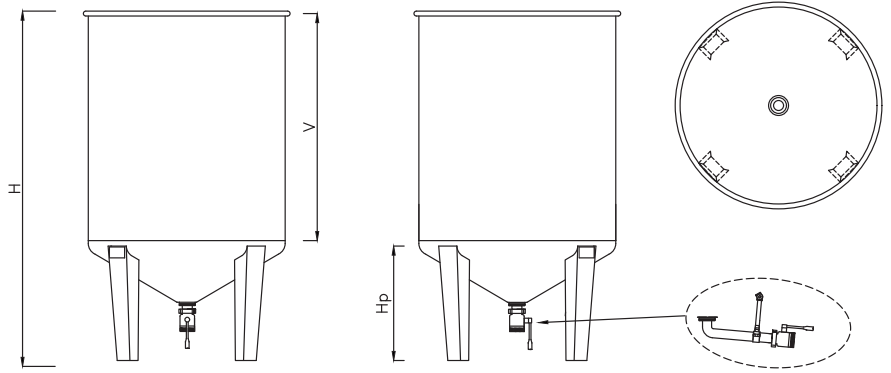
Cold-molded bottom with optimized profile minimum thickness 1.5 mm.

Automatic TIG welding, cleaned and passivated.

Welded feet in AISI 304 stainless steel

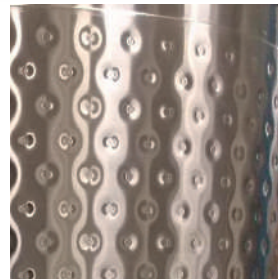
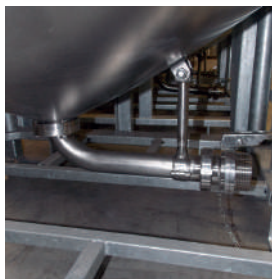
Common technical characteristics :

- Conical bottom and vertical drain
- Total ball or butterfly drain valve, maximum diameter DN 50 (2 ")
- Nameplate



[ACCESSORIES AND OPTIONS]

- Various types of quick couplings or threads.
- Agitator, washing device.
- Level indicator.
- Insulation and heated flags.
- For non-approved models, it is possible to make dimensional modifications and to realize special equipment for all requirements.



TECHNICAL CHARACTERISTICS

MODEL	CAPACITY (L)	Ø DIAMETER (MM)	HEIGHT FEET (MM)	HEIGHT (MM)	V (MM)	WEIGHT (KG)
MTFCA750	715	1080	625	625	625	62
MTFCA1000	975	1080	625	840	840	74
MTFCA1250	1280	1080	625	1120	1120	88
MTFCA1500	1515	1080	625	1500	1500	97

STAINLESS STEEL TANK - STORAGE AND/OR MIXING



MTFCM tank

AISI 304 stainless steel tank (AISI 316 on request) with semi-covering lid. Cold rolled satin exterior finish and BA interior finish.

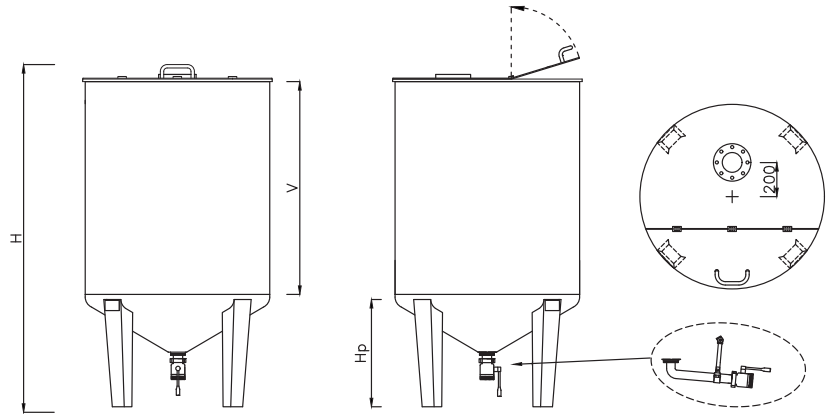
Cold molded bottom with optimized profile minimum thickness 1.5 mm or 2 mm. 30 ° conical bottom.

Automatic TIG welding, cleaned and passivated.

Welded feet in AISI 304 stainless steel

Common technical characteristics :

- Conical bottom and vertical drain
- Flange for agitator included (the agitator is to be defined as an option)
- Lid with handle for half opening
- Total ball or butterfly drain valve, maximum diameter DN 50 (2")
- Nameplate



[ACCESSORIES AND OPTIONS]

- Various types of quick couplings or threads.
- Agitator, washing device.
- Level indicator.
- Insulation and heated flags.
- For non-approved models, it is possible to make dimensional modifications and to realize special equipment for all requirements.

TECHNICAL CHARACTERISTICS

MODEL	CAPACITY (L)	Ø DIAMETER (MM)	HEIGHT FEET (MM)	HEIGHT (MM)	V (MM)	WEIGHT (KG)
MTFCM750	715	1080	625	1365	625	106
MTFCM1000	975	1080	625	1650	840	118
MTFCM1250	1285	1080	625	1990	1120	132
MTFCM1500	1515	1080	625	2240	1500	141

STAINLESS STEEL TANK - STORAGE AND/OR MIXING



MTH tank

Cold rolled AISI 304 stainless steel tank (AISI 316 on request) with satin exterior finish and BA interior finish.

Cold molded bottom with optimized profile minimum thickness 1.5 mm.

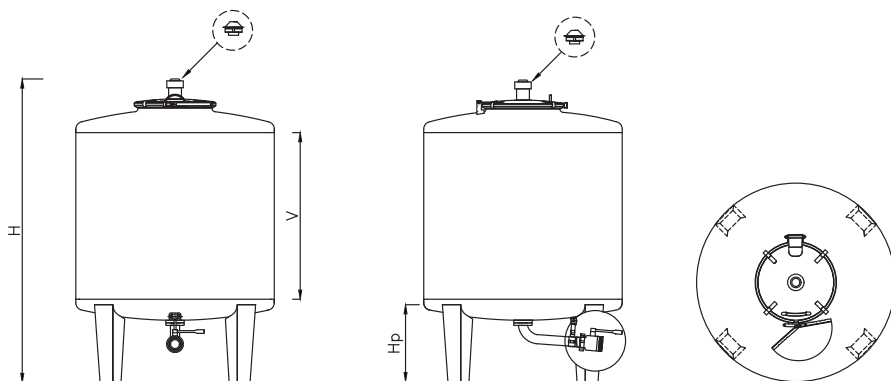
Automated TIG welding process.

Mechanical cleaning of welds.

Welded feet in AISI 304 stainless steel

Common technical characteristics :

- Domed bottom with central flange and piping with 90 ° elbow
- Lid diameter 400 mm
- Lid with quick lever closure (standard)
- Total ball or butterfly drain valve, maximum diameter DN 50 (2 ")
- PVC relief valve



[ACCESSORIES AND OPTIONS]

- Various types of quick couplings or threads.
- Agitator, washing device.
- Level indicator.
- Insulation and heated flags.
- For non-approved models, it is possible to make dimensional modifications and to realize special equipment for all requirements.

TECHNICAL CHARACTERISTICS

MODEL	CAPACITY (L)	Ø DIAMETER (MM)	HEIGHT FEET (MM)	HEIGHT (MM)	V (MM)	WEIGHT (KG)
MTH750	735	1080	410	1280	625	57
MTH1000	995	1080	410	1565	910	68
MTH1250	1305	1080	410	1905	1250	82
MTH1500	1530	1080	410	2155	1500	93

STAINLESS STEEL TANK - STORAGE AND/OR MIXING



MTHA tank

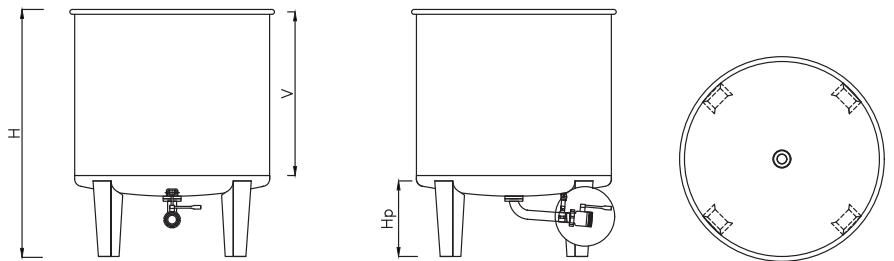
AISI 304 stainless steel tank (AISI 316 on request). Cold rolled satin exterior finish and BA interior finish.

Domed bottom with central flange and pipe with 90 ° elbow
Automatic TIG welding, cleaned and passivated.

Welded feet in AISI 304 stainless steel.

Common technical characteristics :

- Boitard molded on the bottom for a total emptying
- Flange for agitator included (the agitator is to be defined as an option)
- Lid with handle for half opening
- Total ball or butterfly drain valve, maximum diameter DN 50 (2 ")
- Nameplate



[ACCESSORIES AND OPTIONS]

- Various types of quick couplings or threads.
- Agitator, washing device.
- Level indicator.
- Insulation and heated flags.
- For non-approved models, it is possible to make dimensional modifications and to realize special equipment for all requirements.



TECHNICAL CHARACTERISTICS

MODEL	CAPACITY (L)	Ø DIAMETER (MM)	HEIGHT FEET (MM)	HEIGHT (MM)	V (MM)	WEIGHT (KG)
MTHA750	645	1080	410	1100	625	625
MTHA1000	905	1080	410	1385	910	910
MTHA1250	1215	1080	410	1725	1250	1250
MTHA1500	1445	1080	410	1975	1500	1500

STAINLESS STEEL TANK - STORAGE AND/OR MIXING



CORD tank

Cold rolled AISI 304 stainless steel tank with satin exterior finish and BA interior finish.

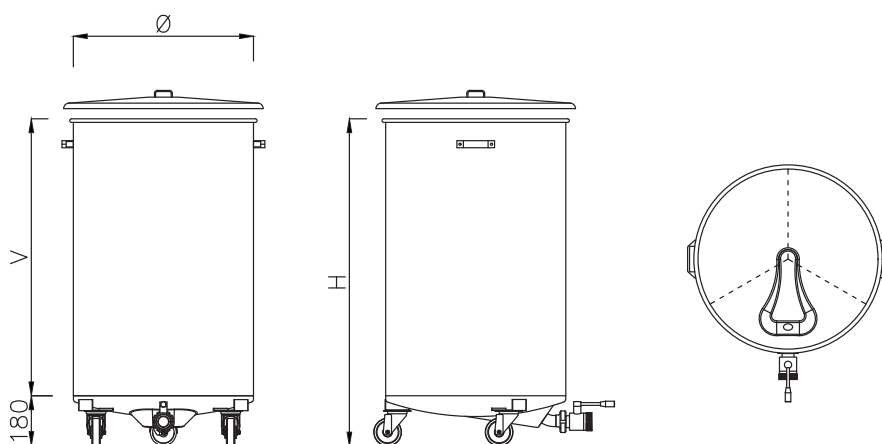
Cold molded bottom with optimized profile.

Automatic TIG welding, cleaned and passivated.

Sight glass molded on the bottom for a total evacuation.

Common technical characteristics :

- Total emptying and clearing with ball or butterfly valve DN 40 max (valve according to Ø)
- Stainless steel dust cover (for CORD model)
- rotating wheels
- Plastic handles
- SP.mm VIROLE: 1.2 mm / BOTTOM: 1.5 mm



[ACCESSORIES AND OPTIONS]

- Floating hat
- Level indicator
- Temperature indicator
- Various addition of accessories



TECHNICAL CHARACTERISTICS

MODEL	CAPACITY (L)	Ø DIAMETER (MM)	HEIGHT (MM)	V (MM)	WEIGHT (KG)
CORD130	139	650	670	500	ND
CORD300	305	650	1170	1000	ND
CORD200	206	800	670	500	ND
CORD450	451	800	1170	1000	ND
CORD330	330	1000	670	500	ND
CORD700	722	1000	1170	1000	ND

STAINLESS STEEL TANK - STORAGE AND/OR MIXING

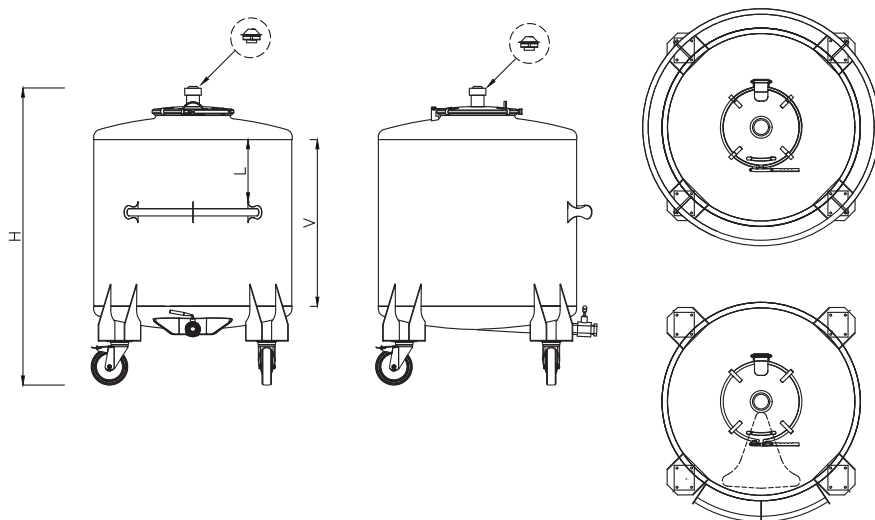
SCL tank

Cold rolled AISI 304 stainless steel tank (AISI 316 on request) with satin exterior finish and BA interior finish.

Cold molded bottom with optimized profile minimum thickness 1.5 mm.

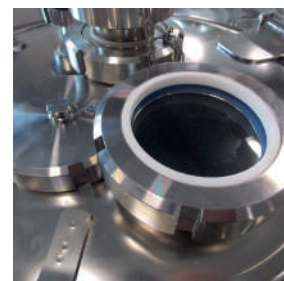
Common technical characteristics :

- Lid diameter 400 mm
- Lid with quick lever closure
- DN 50 (2 ") ball or butterfly drain valve
- PVC relief valve
- 4 rotating wheels



[ACCESSORIES AND OPTIONS]

- Stirrer
- Lid with handle for half opening
- Another model of drain valve
- level indicator



TECHNICAL CHARACTERISTICS

MODEL	CAPACITY (L)	Ø DIAMETER (MM)	HEIGHT (MM)	V (MM)	WEIGHT (KG)
SCL500	560	1080	1060	420	ND
SCL750	750	1080	1265	625	ND
SCL1000	1010	1080	1550	910	ND
SCL1250	1320	1080	1890	1250	ND
SCL1500	1550	1080	2140	1500	ND